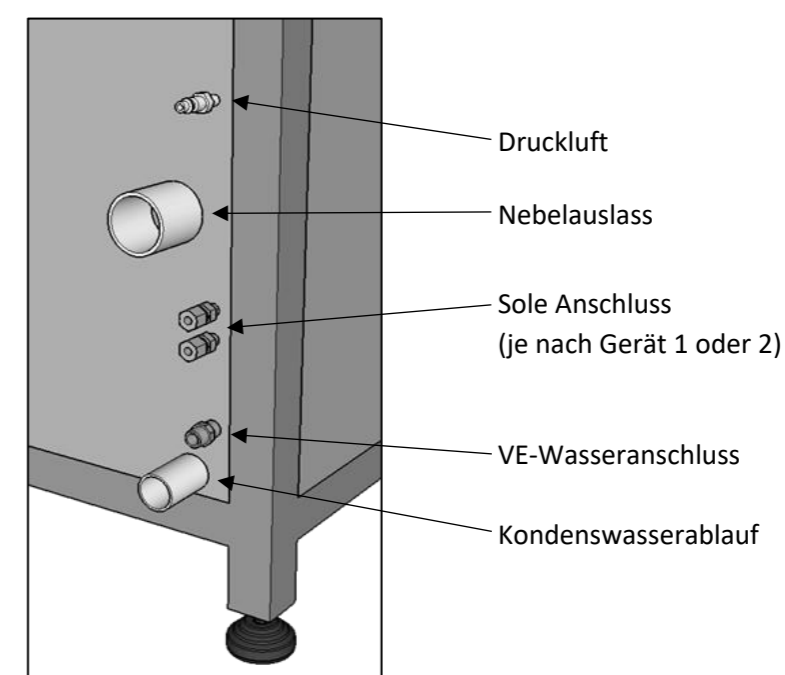


## Übersicht Technische Daten HKT

	HKT 500	HKT 500 Klima	HKT 750	HKT 750 Klima	HKT 900	HKT 900 Klima	HKT 1000	HKT 1000 Klima	HKT 1500	HKT 1500 Klima
Spannungsversorgung	16A, 230V/50Hz	16A, 400V/50Hz	16A, 230V/50Hz	16A, 400V/50Hz	16A, 230V/50Hz	16A, 400V/50Hz	16A, 230V/50Hz	16A, 400V/50Hz	16A, 230V/50Hz	16A, 400V/50Hz
Druckluft	4,5 – 8,0 bar	4,5 – 8,0 bar	4,5 – 8,0 bar	4,5 – 8,0 bar	4,5 – 8,0 bar	4,5 – 8,0 bar	4,5 – 8,0 bar	4,5 – 8,0 bar	4,5 – 8,0 bar	4,5 – 8,0 bar
Nebelauslass	d=50mm	d=50mm	d=75mm	d=75mm	d=75mm	d=75mm	d=50mm	d=50mm	d=75mm	d=75mm
Sole Anschluss	8x5 mm PVC Schlauch	8x5 mm PVC Schlauch	8x5 mm PVC Schlauch	8x5 mm PVC Schlauch	2x 8x5 mm PVC Schlauch	2x 8x5 mm PVC Schlauch	8x5 mm PVC Schlauch	8x5 mm PVC Schlauch	8x5 mm PVC Schlauch	8x5 mm PVC Schlauch
VE-Wasseranschluss	2,0 – 5,0 bar ½" AG	2,0 – 5,0 bar ½" AG	2,0 – 5,0 bar ½" AG	2,0 – 5,0 bar ½" AG	2,0 – 5,0 bar ½" AG	2,0 – 5,0 bar ½" AG	2,0 – 5,0 bar ½" AG	2,0 – 5,0 bar ½" AG	2,0 – 5,0 bar ½" AG	2,0 – 5,0 bar ½" AG
Kondenswasserablauf	d=32mm	d=32mm	d=32mm	d=32mm	d=32mm	d=32mm	d=32mm	d=32mm	d=32mm	d=32mm
Sole-Vorratsbehälter (externer Tank)	140 Liter Ø500mm H=860mm	140 Liter Ø500mm H=860mm	140 Liter Ø500mm H=860mm	140 Liter Ø500mm H=860mm	250 Liter Ø650mm H=1100mm	250 Liter Ø650mm H=1100mm	250 Liter Ø650mm H=1100mm	250 Liter Ø650mm H=1100mm	250 Liter Ø650mm H=1100mm	250 Liter Ø650mm H=1100mm

	HKT 2000	HKT 2000 Klima	HKT 2500	HKT 2500 Klima	HKT 3000	HKT 3000 Klima
Spannungsversorgung	16A, 400V/50Hz	16A*, 400V/50Hz	16A, 400V/50Hz	16A*, 400V/50Hz	16A, 400V/50Hz	16A*, 400V/50Hz
Druckluft	4,5 – 8,0 bar	4,5 – 8,0 bar	4,5 – 8,0 bar	4,5 – 8,0 bar	4,5 – 8,0 bar	4,5 – 8,0 bar
Nebelauslass	d=75mm	d=75mm	d=75mm	d=75mm	d=75mm	d=75mm
Sole Anschluss	2x 8x5 mm PVC Schlauch	2x 8x5 mm PVC Schlauch	2x 8x5 mm PVC Schlauch	2x 8x5 mm PVC Schlauch	2x 8x5 mm PVC Schlauch	2x 8x5 mm PVC Schlauch
VE-Wasseranschluss	2,0 – 5,0 bar ½" AG	2,0 – 5,0 bar ½" AG	2,0 – 5,0 bar ½" AG	2,0 – 5,0 bar ½" AG	2,0 – 5,0 bar ½" AG	2,0 – 5,0 bar ½" AG
Kondenswasserablauf	d=32mm	d=32mm	d=32mm	d=32mm	d=32mm	d=32mm
Sole-Vorratsbehälter (externer Tank)	250 Liter Ø650mm H=1100mm	250 Liter Ø650mm H=1100mm	250 Liter Ø650mm H=1100mm	250 Liter Ø650mm H=1100mm	250 Liter Ø650mm H=1100mm	250 Liter Ø650mm H=1100mm



\*(32A mit Feuchtluft oder mit Erweitertes Klimamodul)